

Power Supply



File: psu.kicad_sch

CM4 Connector 1



File: cm-conn1.kicad_sch

CM4 Connector 2



File: cm-conn2.kicad_sch

SATA Bridge

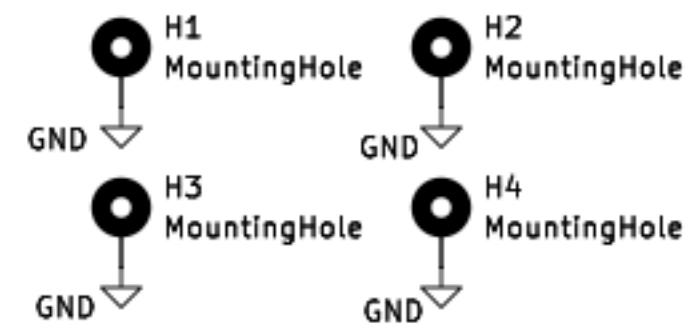
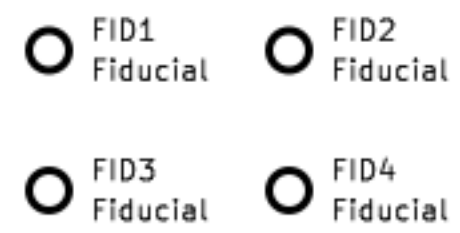


File: sata.kicad_sch

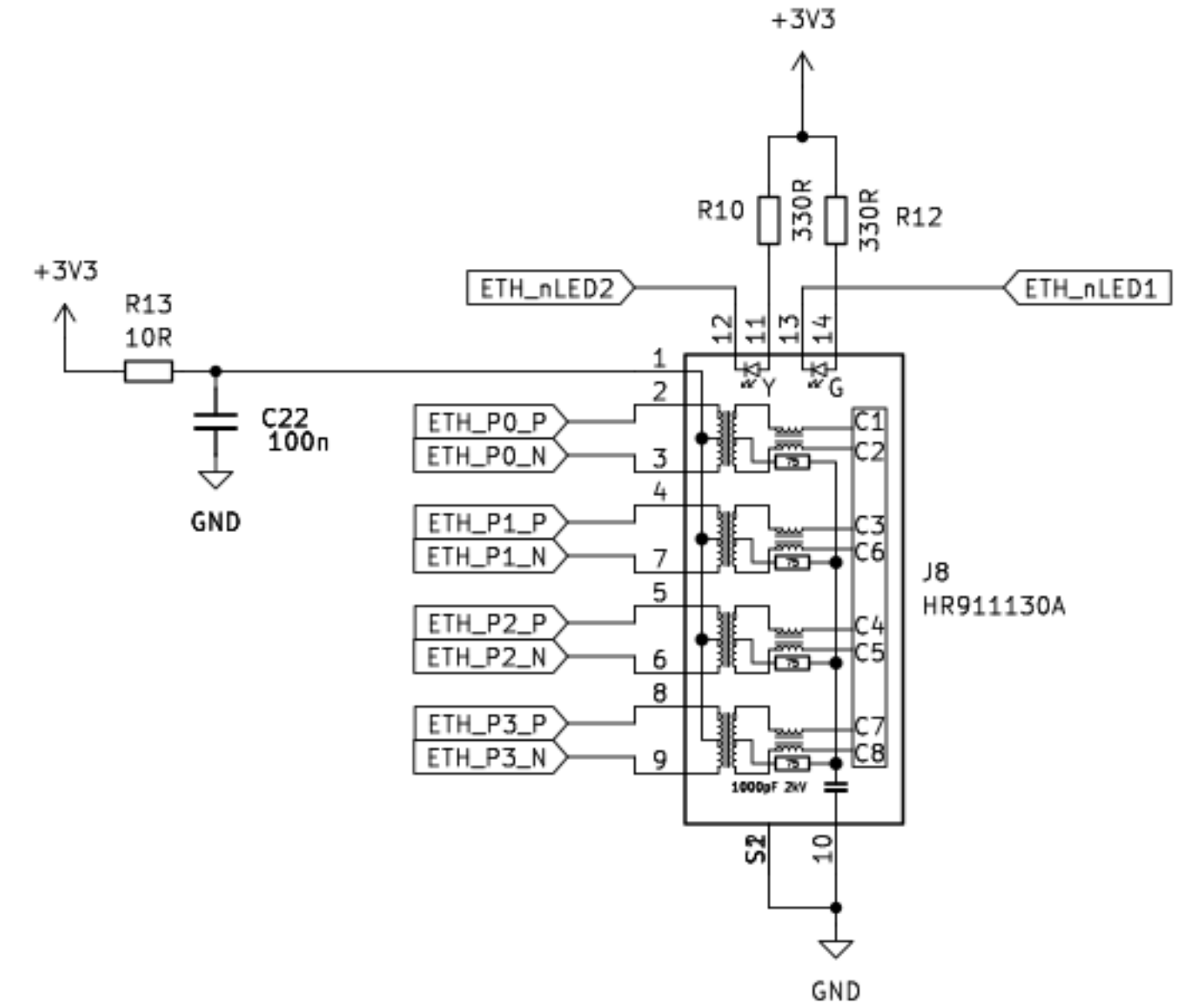
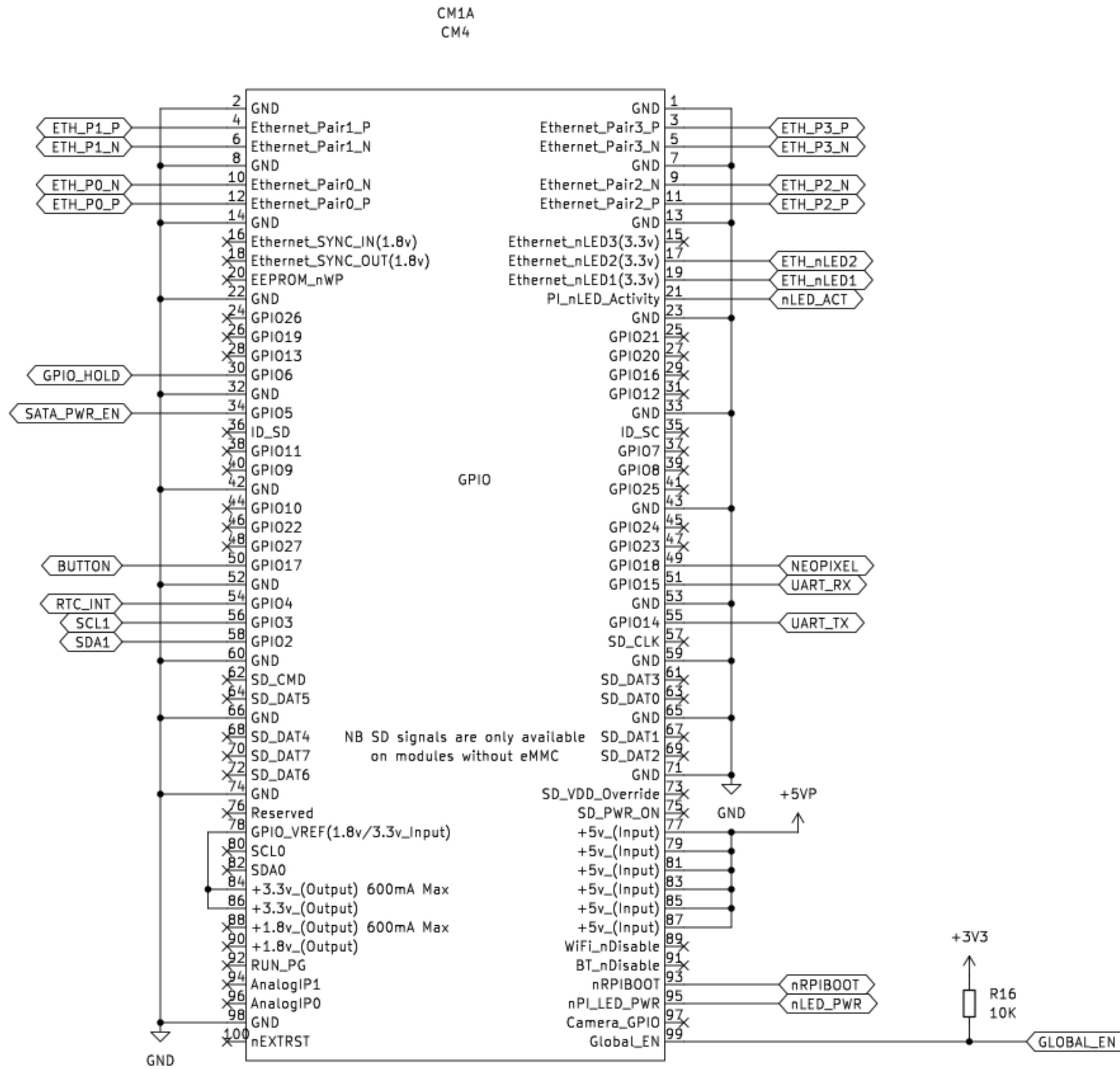
Peripherals



File: peripherals.kicad_sch

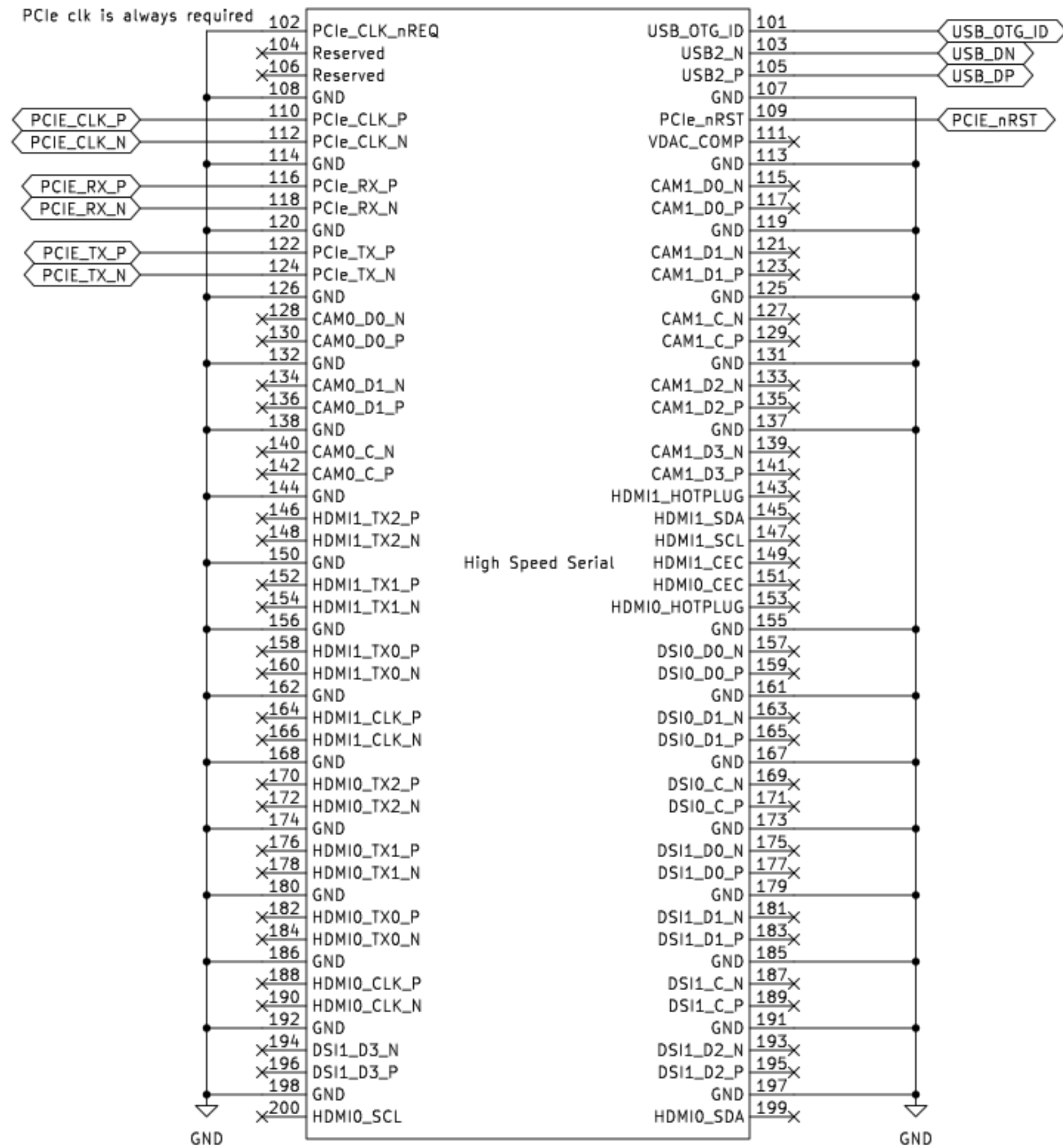


/CM4 Connector 1

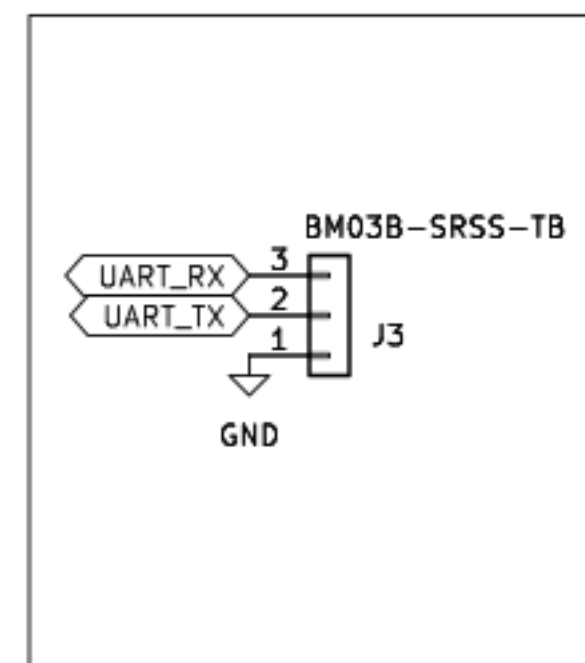
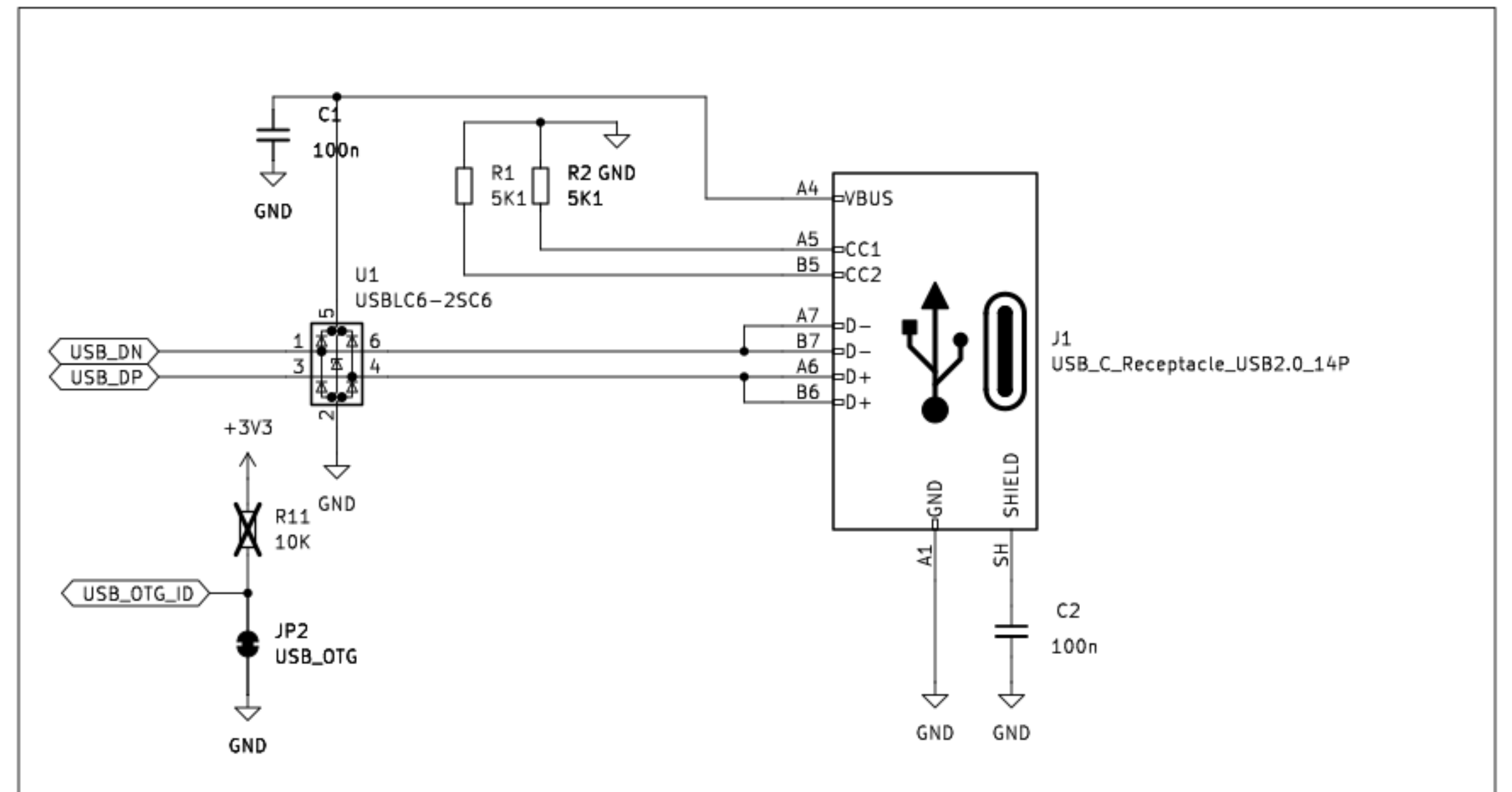
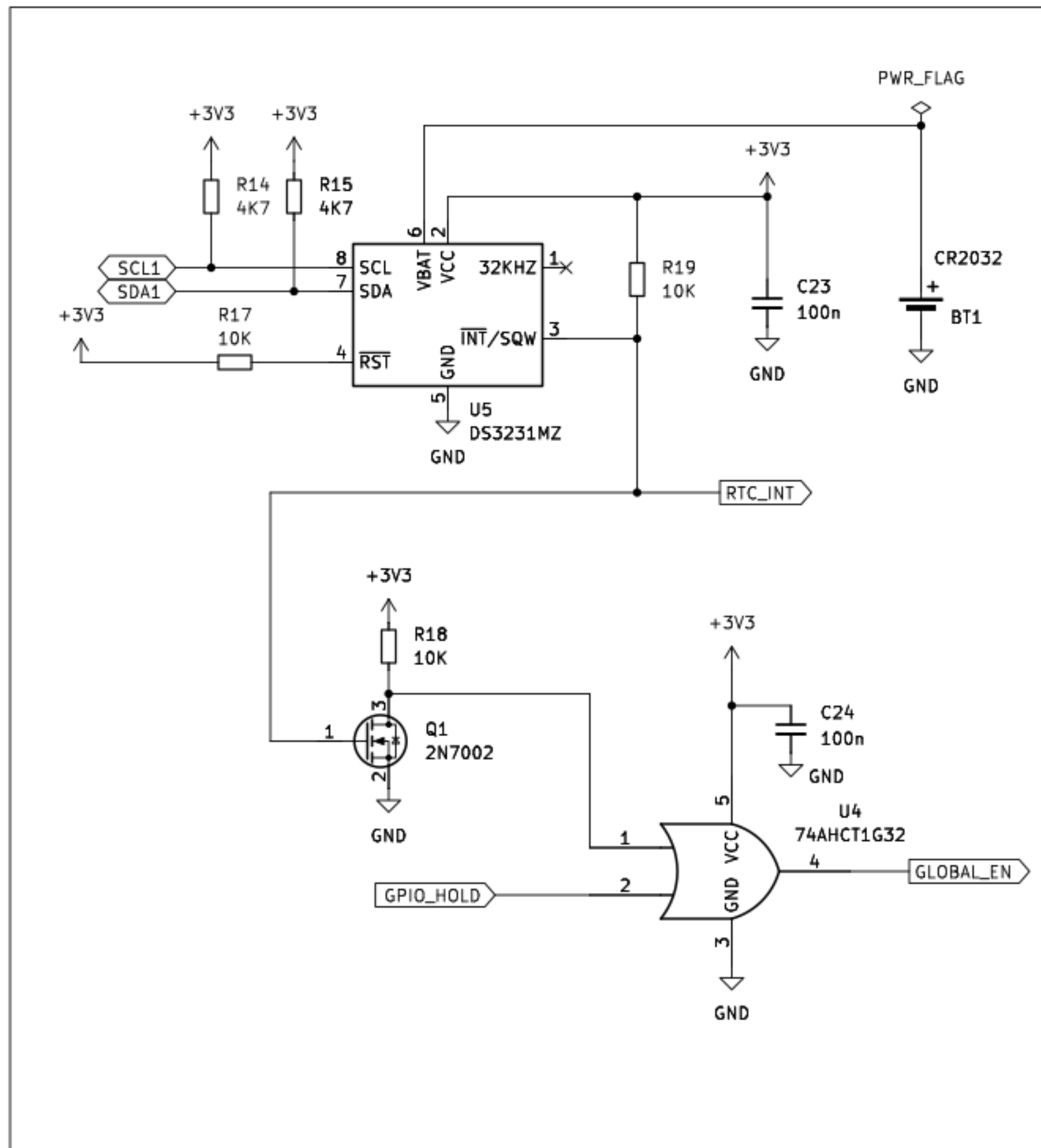
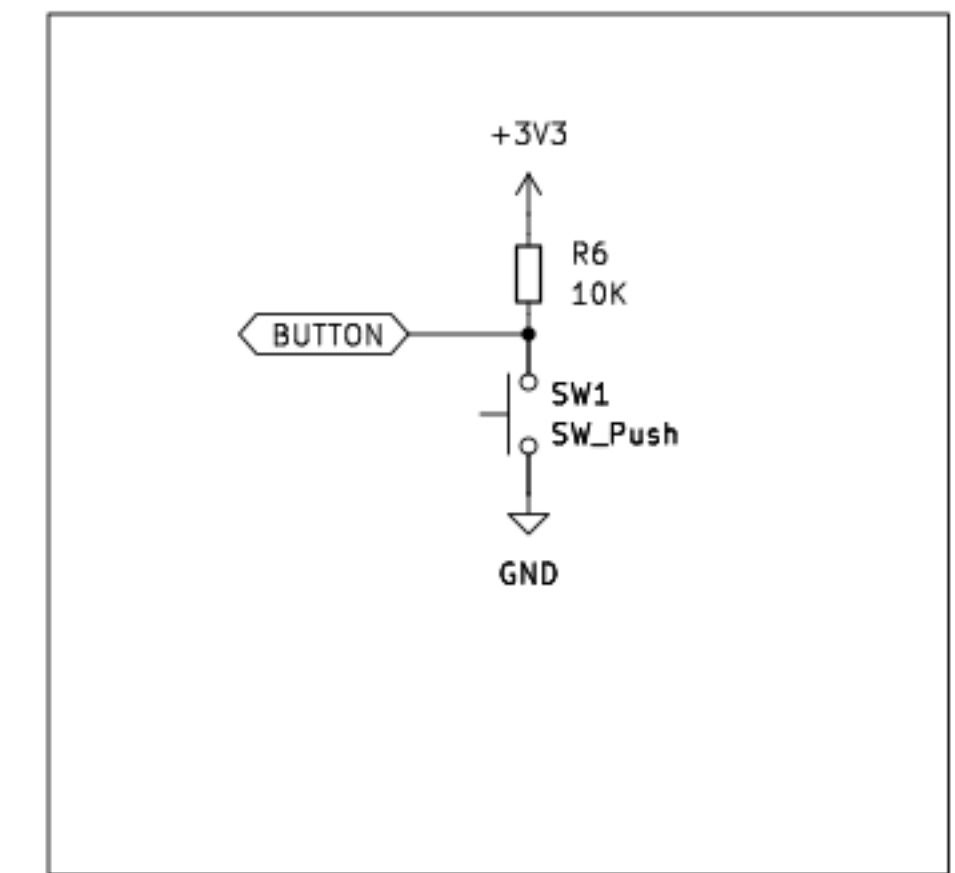
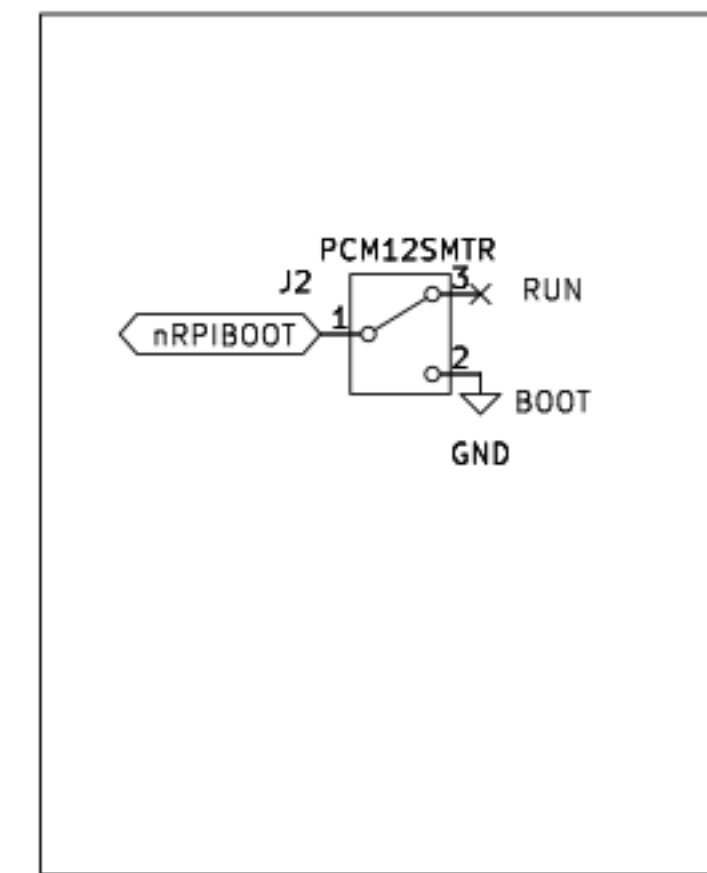
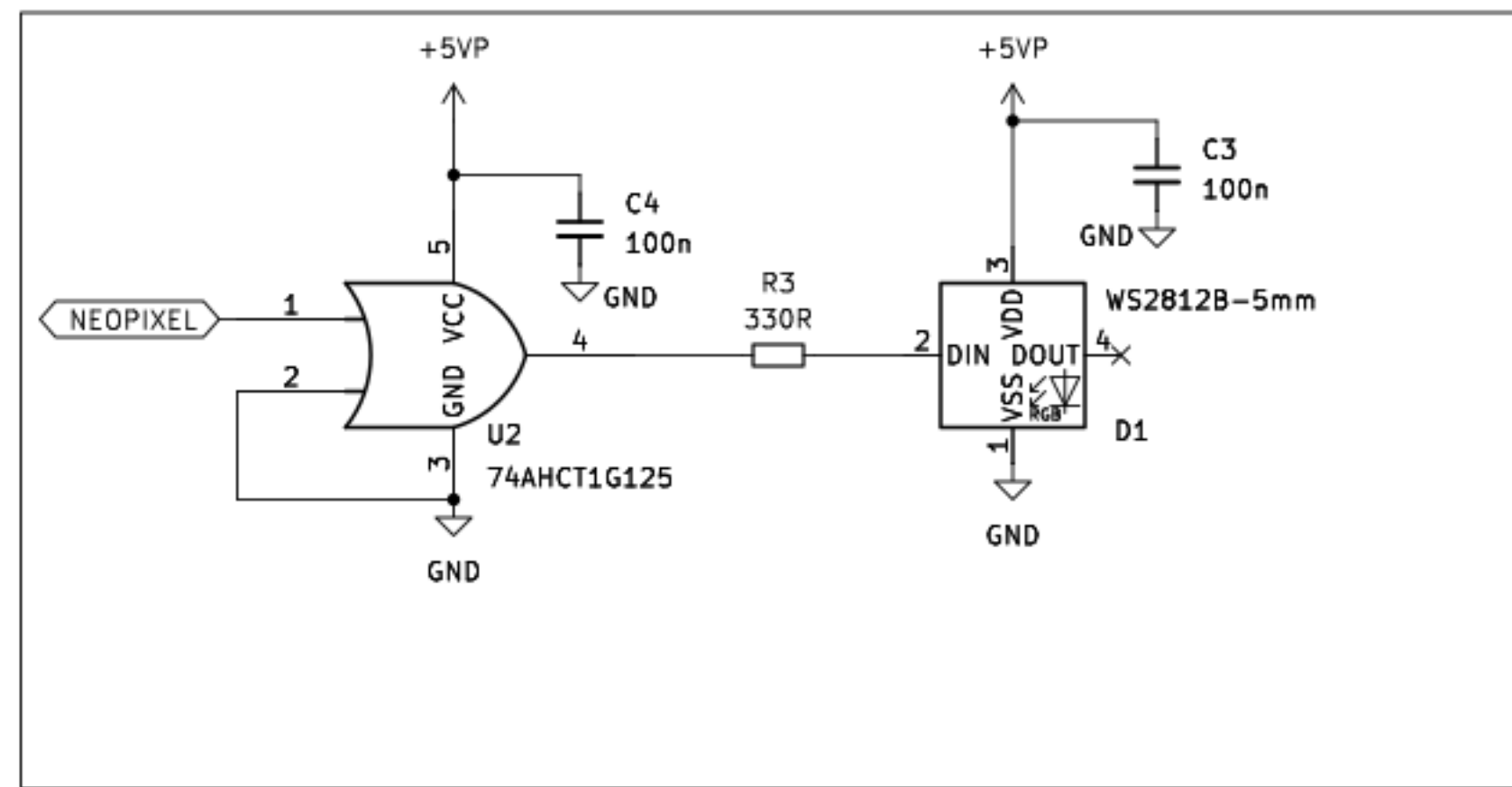
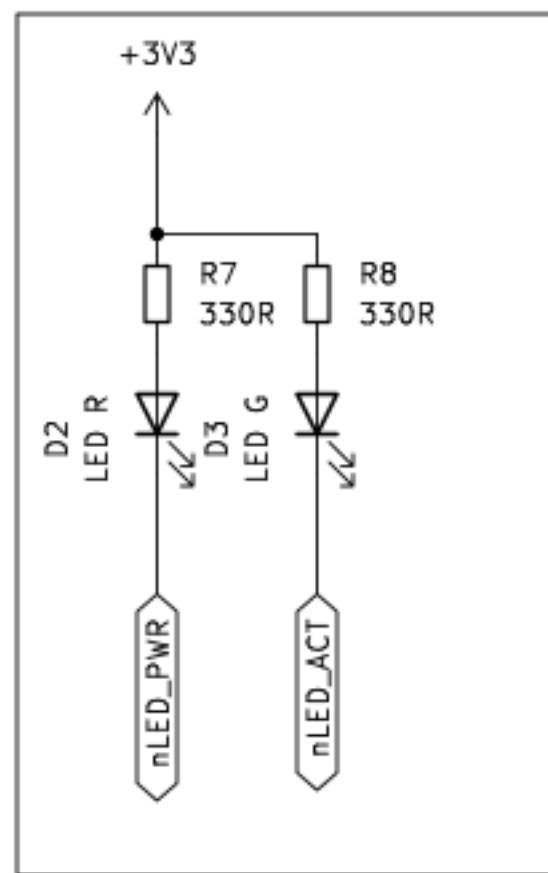


/CM4 Connector 2

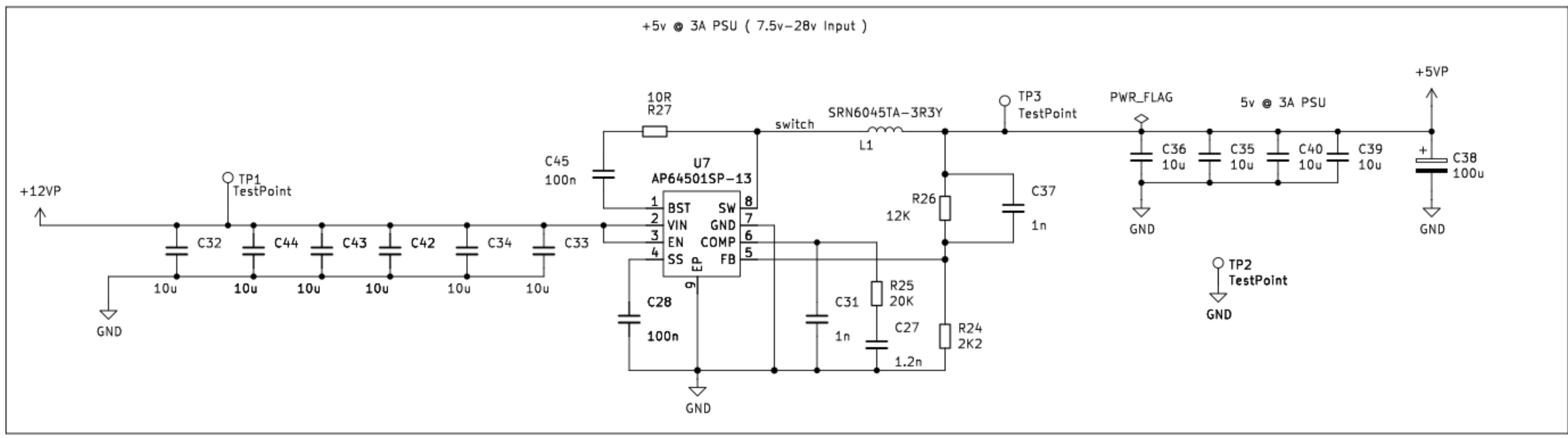
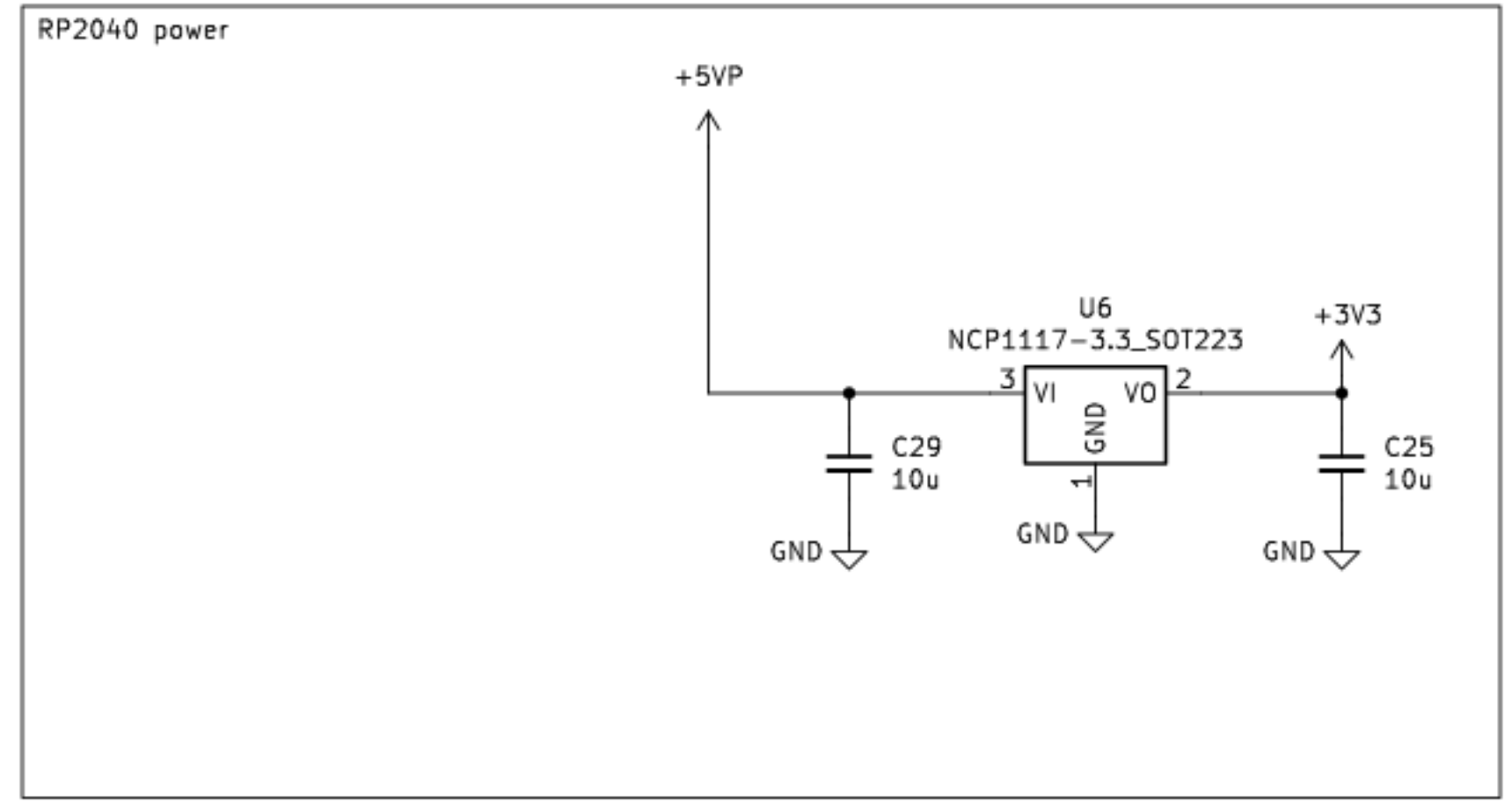
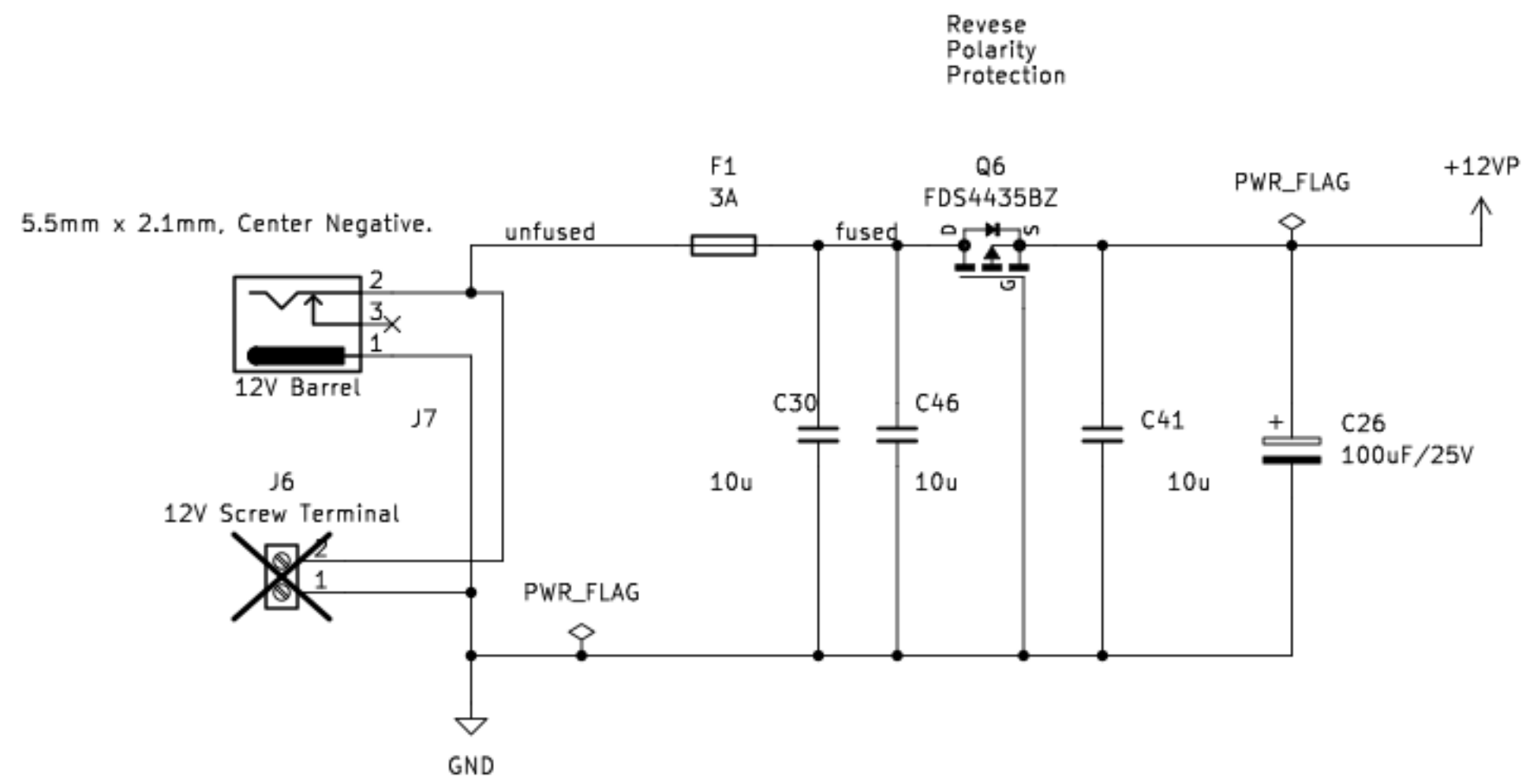
CM1B
CM4



/Peripherals



/Power Supply



/SATA Bridge

